

**AXOR Citterio**  
**Single-Hole Faucet 160 with Pop-Up Drain- Rhombic Cut, 1.2 GPM**  
 Finishes : **chrome**    Part no. : **39071001**



### Features

- Consists of: Single-handle faucet, Pop-up assembly
- Spray modes: Laminar spray
- Angle-adjustable spray
- Flow: 1.2 GPM (4.5 L/Min)
- Ceramic cartridge
- Includes pop-up drain

### Item details

List Price \$ 1,183.00

### Technology



### Design awards



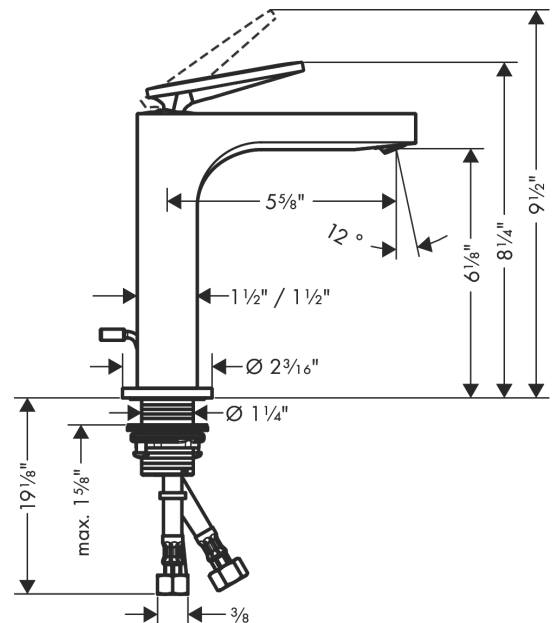
### Compliance



### Product image



### Scale drawing

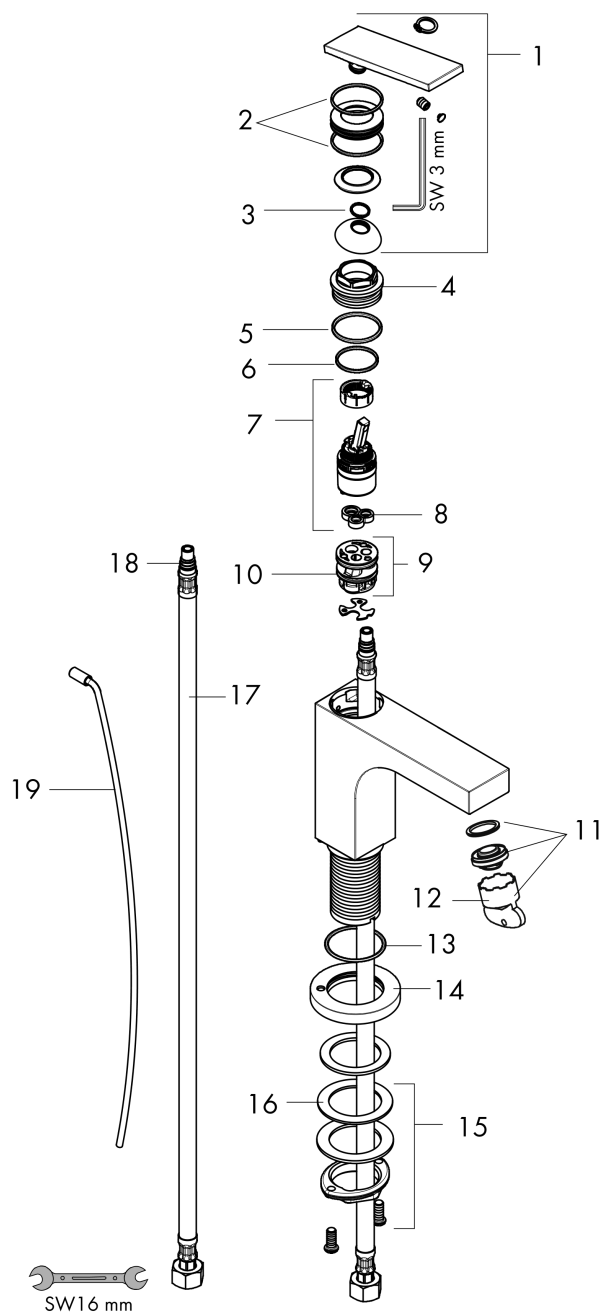


**AXOR Citterio**  
**Single-Hole Faucet 160 with Pop-Up Drain- Rhombic Cut, 1.2 GPM**  
 Finishes : **chrome**    Part no. : **39071001**



## Exploded drawing

Year of production: >08/21



**AXOR Citterio**  
**Single-Hole Faucet 160 with Pop-Up Drain- Rhombic Cut, 1.2 GPM**  
 Finishes : **chrome** Part no. : **39071001**



## Spare parts list

Year of production: >08/21

Pos.		Part no.	Price	PU
1	handle	94383000	-	1
2	O-ring 30x1,5	98433000	-	1
3	O-ring 11x1	92924000	-	1
4	nut	94092000	-	1
5	O-ring 29x2	98391000	-	1
6	O-ring 25x1,5	98146000	-	1
7	cartridge, assy	92900000	-	1
8	seal	93383000	-	1
9	adapter for cartridge	98866000	-	1
10	O-ring 23x2	98398000	-	1
11	aerator M24x1 (4,5 l/min)	92880000	-	1
12	special tool	95290000	-	1
13	O-ring 33x1,5	98164000	-	1
14	escutcheon	95668000	-	1
15	fixing set (Ø 32)	13961000	-	1
16	lever collar	97548000	-	1
17	connection hose 23½" M8x0,75 3/8"	98600001	-	1
18	O-ring 7x1,5	98422000	-	1
19	pull rod	96923000	-	1
a	pop up waste	88509000	-	1